

Just What You Asked For.



You said you wanted a faceplate that was less susceptible to damage. Something that would help keep cables from being stepped on, tripped over, or yanked from the wall. You said you wanted a plate with options, providing a flexible installation for your customers. And you said you wanted a plate that fits well in the wall and looks good in the home.

We answered with the Suttle Integrity™ II faceplate.

The Integrity™ II employs jacks mounted at a 90° downward angle. This allows cables to move down, not straight out of the wall, keeping them

out of harm's way. Which means fewer calls to repair disrupted service because of bent connections and frayed wires. The sleek design and form factor minimize interference with furniture and decoration in the room. Plus, its smooth, shatter-resistant, high-impact thermoplastic face protects the installation from collateral damage.


Available in five configurations, Integrity™ II faceplates can accommodate a wide variety of connectors. They are easily configured to deliver the carrier's video, data, and voice services to the customer in the most efficient manner possible.

SUTTLE

SPECIFICATIONS

Materials High impact, UL 94V-0 rated thermoplastic

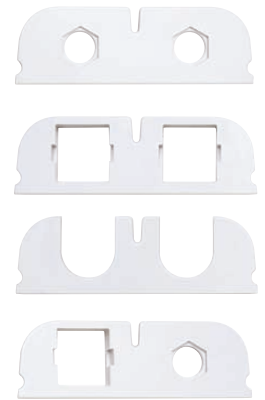
Dimensions . . . 5.04"H x 3.13"W x 1"D

Safety  us listed



2-6500

All four inserts



FEATURES

- Attractive low profile
- Protects connectors from damage by objects forced against the plate
- Accommodates:
 - 2 F81 barrel connectors
 - 2 SpeedStar™ connectors
 - 2 CablePass™ feed-through
 - 1 F81 barrel/1 SpeedStar™
- Easy to install for new construction or replacement of existing faceplates
- Custom branding available (call for minimum order qty's)



2-6501

2-port F81 barrel connector insert



2-6502

2-port SpeedStar™ connector insert



2-6503

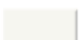
CablePass™ feed-through insert

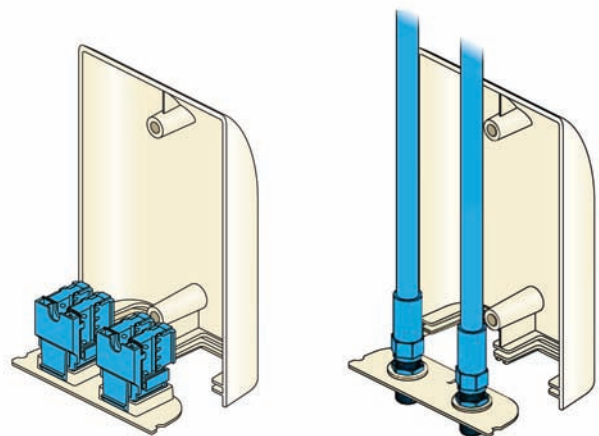


2-6504

F81/SpeedStar™ connector insert

Part	Description
2-6500-xx	Plate w/all four inserts
2-6501-xx	Plate w/2-port F81 connector insert, connectors not included
2-6502-xx	Plate w/2-port SpeedStar™ connector insert, connectors not included
2-6503-xx	Plate w/CablePass™ feed-through insert
2-6504-xx	Plate w/F81/SpeedStar™ connector insert, connectors not included

Color (-xx):  (50) Ivory,  (52) Electrical Ivory,  (85) White,  (64) Light Almond



SUTTLE

1001 East Hwy 212 • Hector, MN 55432
800-852-8662 • Fax: 320-848-6218 • www.suttleonline.com