



SAM-D8-C6

8-port CAT6 data/voice networking module, 8P8C "RJ45" to 110 IDC, 568A wiring

Features

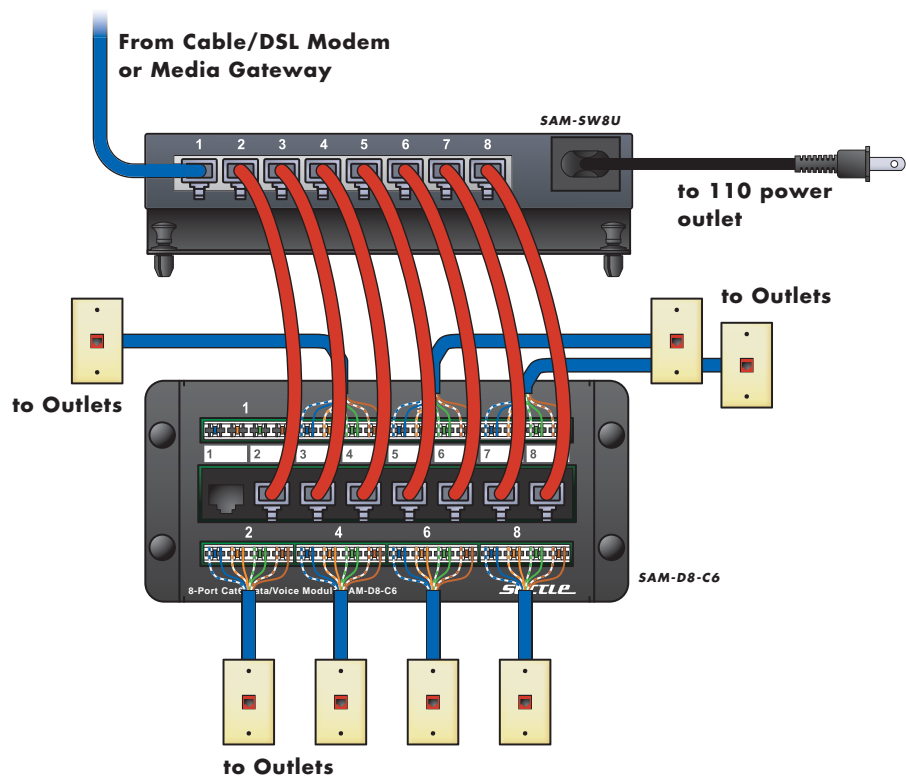
- 8-ports 8P8C "RJ45" to 110 IDC
- CAT6
- Exceeds 250 MHz
- Facilitates Easy Changes
- Front Punchdown Terminations
- Enables GigE¹ and 10GigE² transmission speed requirements

Product Description

The SOHO Access™ CAT6 patch panel supports up to 8 outlets and is designed with front punch down terminations. It allows for changes in wiring to be made quickly and easily with no tools. Signal is simply patched from the source to the desired outlet. The CAT6 patch module provides performance that exceeds TIA/EIA-568-B.2-1 specifications for channel & link performance.

Specifications

Input	8 8P8C "RJ45" Jacks
Output	8 4-pair 110 IDCs
Wiring	568A
Performance	Category 6, Channel & Link
Dimensions	3"H x 6.5"W x 1"D
Safety	cULus



¹ GigE (10/100/1000baseT) up to 100 meters (per standards)

² 10GigE (10/100/1000/10GbaseT) up to 37 meters (per standards)