



SAM-VE

4-line input (1 110 IDC), 22 output (RJ45), 10 outs pass all 4 lines, 12 outs pass 2 lines in varying combinations, RJ31X alarm jack, 2 test jacks

Features

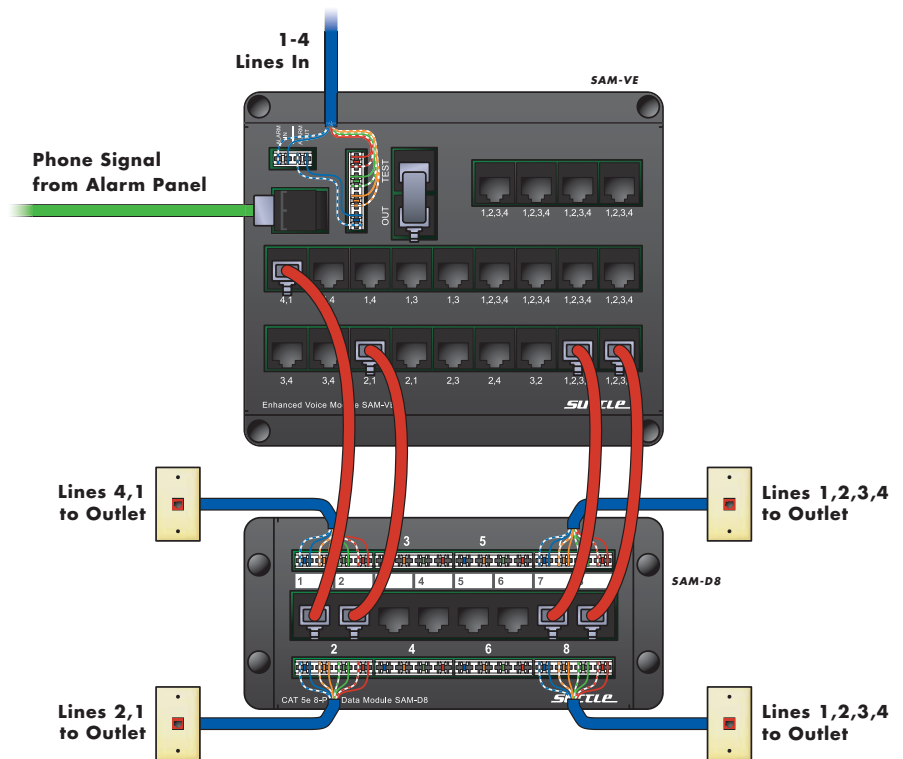
- Easy moves, adds, and changes without re-termination
- 4 lines of basic telephone service to 22 outlets of varying line combinations
- Two test Jacks for incoming/outgoing testing
- RJ31X Interface for allows direct phone signal for security/alarm panel

Product Description

The enhanced voice distribution module is configured for up to 22 outputs for star wiring with 10 outputs passing all 4 lines and 12 outs passing 2 lines in varying combinations. The module also includes an RJ31X interface for a security/alarm system and two test jacks to test the service provider line and internal lines. This module allows for simple moves, adds, and changes without requiring re-termination.

Specifications

Input	4-pair 110-IDC
Output	22 outputs RJ45: - 10 pass all 4 lines, T568A wiring - 12 pass 2 lines in varying combinations
Alarm	RJ31X jack allows alarm auto-dialing for any line
Dimensions	5.5"H x 6.5"W x 1"D
Safety	cULus



Specifications subject to change without notice. Copyright 2006. Original: 06/06