



Voice/Video Module

VOICE:

4-line input, 10 output,
110 IDCs, RJ31X alarm jack,
1 test/expansion jack

VIDEO:

1x2,3,4,6,8 RF splitters,
F connector, 1GHz or 3GHz,
SCTE compliant

Features

- 4 lines to 10 outputs
- One test/expansion jack for bridging or testing service
- RJ31X Interface for security/alarm
- Compact design maximizes space for systems modules
- All splitters meet ANSI/SCTE standards
- Vertical F-port orientation simplifies access and wire management

Product Description

The Voice/Video Combination Module is made up of both a V10 Voice Distribution Module that is configured for up to 10 outlets each with up to 4 lines of basic telephone and a RF Splitter to distribute video throughout the home. The module's voice board also includes an RJ31X interface for a security/alarm system and one expansion/test jack to either bridge service to a SAM-VX10 Voice Expansion Module or to test the service provider and internal lines. The video splitters provide high quality and reliable video distribution with industry approved, digital ready splitters that meet ANSI/SCTE standards. The combo module's bracket maximizes enclosure space, minimizes cable strain, and facilitates better wire management and ease of installation.

Specifications

VOICE

Input ----- 4-pair 110 IDC
 Output ----- 4-pair 110 IDC to 10 outlets
 Test/Expansion ----- 1 RJ45
 Alarm ----- RJ31X jack allows alarm auto-dialing access to line 1
 Wiring ----- 568A

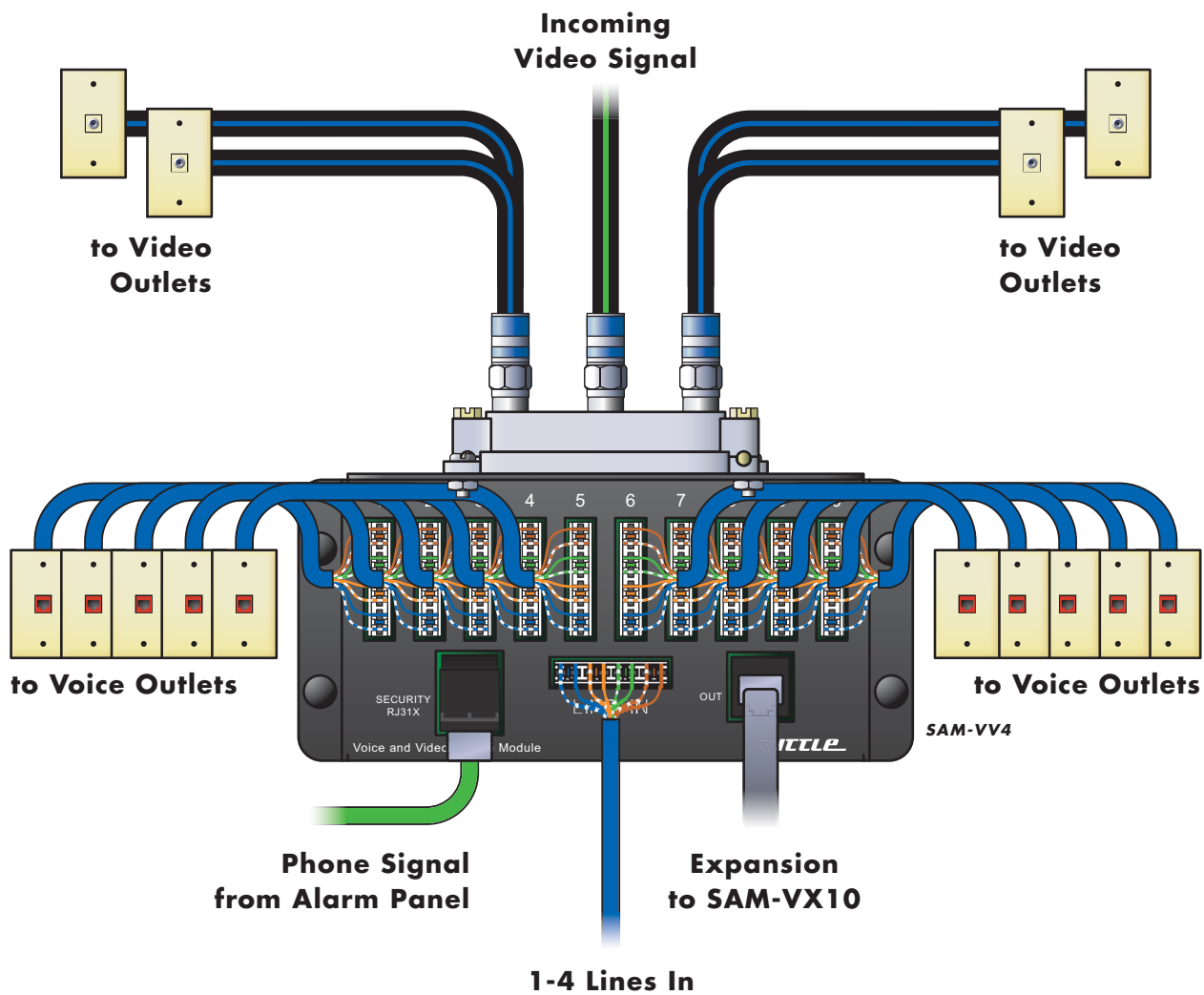
VIDEO: 1GHz

	<u>4-port</u>	<u>6-port</u>	<u>8-port</u>
Frequency Range -----	5-1000MHz	-- 5-1000MHz	--- 5-1000MHz
Insertion Loss (max) -----	8dB	----- 11.5dB	----- 11.5dB
Isolation (min) -----	27dB	----- 21dB	----- 21dB
Return Loss (min) -----	22dB	----- 17dB	----- 21dB
RFI Shielding -----	120dB	----- 130dB	----- 120dB
F Ports -----	Meet ANSI/SCTE 02 2006		

VIDEO: 3GHz

	<u>2-port</u>	<u>3-port</u>	<u>4-port</u>	<u>6port</u>	<u>8-port</u>
Frequency Range -----	5-2400MHz	-- 5-2400MHz	--- 5-2400MHz	--- 5-2400MHz	--- 5-2400MHz
Insertion Loss (max) -----	7.2dB	----- 11.2dB	----- 12.5dB	----- 14.5dB	----- 15dB
Isolation (min) -----	22dB	----- 22dB	----- 20dB	----- 22dB	----- 20dB
Return Loss In (min) -----	12dB	----- 12dB	----- 12dB	----- 13dB	----- 13dB
Return Loss Out (min) -----	13dB	----- 11dB	----- 12dB	----- 13dB	----- 12dB
RFI Shielding -----	130dB	----- 130dB	----- 130dB	----- 130dB	----- 130dB
F Ports -----	Meet ANSI/SCTE 02 2006				

Dimensions ----- 4.15"H x 6.5"W x 2.95"D



Part #	Description
SAM-BV	VOICE: 4-line input, 10 output VIDEO: No splitter
SAM-VV4	VOICE: 4-line input, 10 output VIDEO: 1x4 RF splitter, 1GHz
SAM-VV6	VOICE: 4-line input, 10 output VIDEO: 1x6 RF splitter, 1GHz
SAM-VV8	VOICE: 4-line input, 10 output VIDEO: 1x8 RF splitter, 1GHz
SAM-VVH2	VOICE: 4-line input, 10 output VIDEO: 1x2 RF splitter, 3GHz
SAM-VVH3	VOICE: 4-line input, 10 output VIDEO: 1x3 RF splitter, 3GHz
SAM-VVH4	VOICE: 4-line input, 10 output VIDEO: 1x4 RF splitter, 3GHz
SAM-VVH6	VOICE: 4-line input, 10 output VIDEO: 1x6 RF splitter, 3GHz
SAM-VVH8	VOICE: 4-line input, 10 output VIDEO: 1x8 RF splitter, 3GHz

Specifications subject to change without notice. Copyright 2007. Original: 04/07