

Diagram # 1

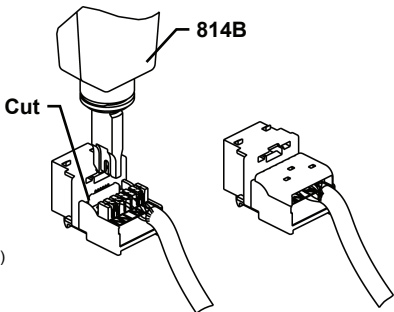


Diagram # 2

Diagram # 3

Step #1: Strip outer jacket of cable 1 1/2" being careful not to nick the insulation of the individual conductors.

Step #2: Insert conductors into the color coded slots on IDC. Do not untwist wire pairs more than 0.4" from back of connector (Diagram #1).

Step #3: Terminate conductors using impact tool. Trim excess conductors and discard. Install the IDC cap (Diagrams #2 & #3).

Step #4: SpeedStar installation: Snap the bezel onto the connector and then snap the connector into faceplate from the back side (Diagram #4).

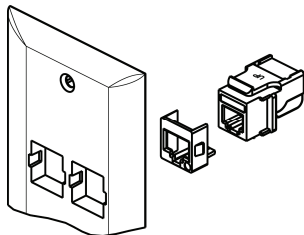


Diagram # 4
(2-2500 Series Plate)

100906-00 Rev-A