

SAM-B5 Bracket for Telephone Modem

Installation:

The right side of the bracket has two holes and the left side has holes spaced every $\frac{1}{2}$ ". Assemble the grommet and plunger into the two holes on the right. Press the grommet into the hole from the top of the bracket (see figure 1). Then press the plunger into the grommet.

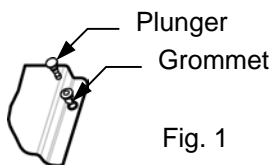


Fig. 1

Loosely assemble the screws and nuts to the bracket, aligning the screw head with the keyhole on the back of the Arris Telephone Modem. Figure 2 shows which holes in the bracket to use for model TM402 or TM502. After sliding the modem keyholes down onto the screw heads, the $\frac{11}{32}$ " hex nuts can be tightened on the back of the bracket. The modem should be pushed to one side while tightening the nuts to stop the screws from spinning.

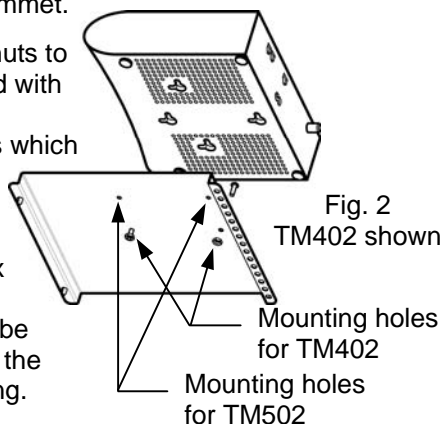


Fig. 2
TM402 shown

Mounting:

Align the two mounting pins on the right side of the bracket with the vertical column of mounting holes on the right side of the enclosure as shown in figure 3. With the mounting pins in the "out" position, press the bracket into the grid in the desired location, secure by pushing the plungers in.

After the right side of the bracket is secured in the enclosure, determine which holes on the left side of the bracket align with the horizontal rows of mounting holes in the enclosure. Assemble the grommet and plunger in these holes as instructed above.

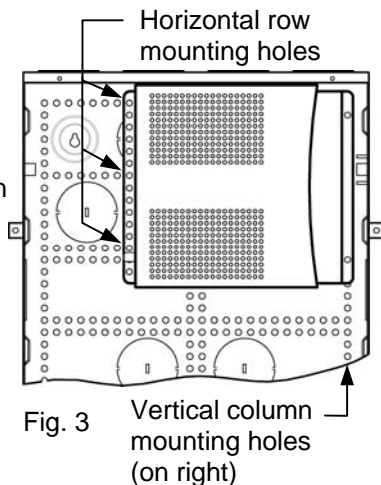


Fig. 3

Note: once the plunger is inserted, the grommet cannot be removed without damage. Verify that the grommets are in the correct mounting holes prior to inserting the plungers.

100658-00 Rev.A