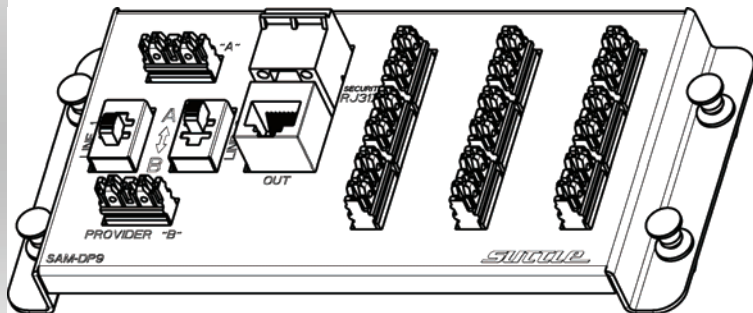


SUTTLE

SAM-DP9 Dual Provider Voice module

User Guide



1001 East Hwy 212
Hector, MN 55342
www.suttlesoho.com

Toll Free: 1-800-852-8662
Local: 1-320-848-6711
Fax: 320-848-2361

1. Introduction

Features

- Conforms to UL standards.
- Accommodates up to 2 Telephone service lines from two different service providers.
- Customer operable switches to change from one service provider to the other.
- Change from incumbent service to MSO service without rewiring while maintaining system separation.
- Alarm interface is configured for use on service line 1.
- Centralized test port, to verify incoming phone service.
- Supports up to 9 home run terminations.
- Installer-friendly push-lock pin mounting.



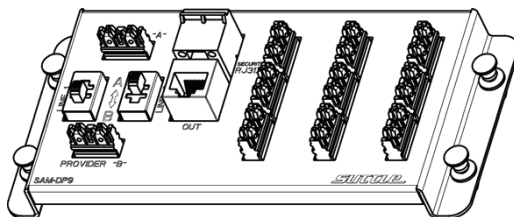
User's Guide

Package Contents

- 9 Port Dual Provider Voice Module
- Designation label
- User's Guide



Designation label



9 port Dual Provider
Voice Module

Compare the contents of your SAM-DP9 with the checklist above. If any item is missing or damaged, please contact your local dealer for service.

2. Module Installation

Mounting:

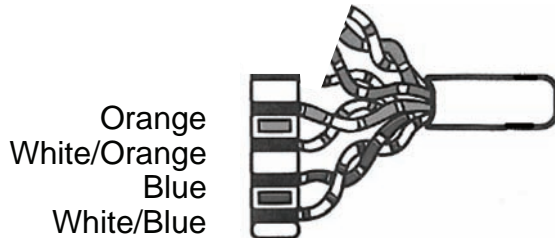
Align the mounting pins with the grid holes on the back of the enclosure. With the mounting pin plungers in the “out” position, press the unit into the grid in the desired location, secure by pushing the plungers in.

Terminate incoming service lines:

Run twisted pair cable to the Dual Provider Voice Module from the telephone company demarcation point. Strip 3 in. of outer jacket from the cable. Punch individual cable pairs down on the 110 IDC connector labeled “**Provider A**”. Determine where the MTA will be located and run twisted pair cable from a jack near that location to the Dual Provider Voice Module. It is recommended that the jack wired to the “Provider B” input be labeled “**for cable modem only**” for future reference. Punch individual cable pairs down on IDC connector “**Provider B**”.

110 IDC Termination Procedure

Place wires into proper slots according to selected configuration. Starting at the blue-position on the 2-pair IDC, begin with the white wire of each pair as you progress to the orange-position on the IDC as shown below. Press wires into slots with punch tool. Trim excess wire with diagonal cutter.



NOTE: one pair of wires corresponds to each line from the phone company. (Line 1=blue, Line 2=orange, Line 3=green, Line 4=brown).

Terminate premise wiring:

Run twisted pair cable from the Dual Provider Voice Module to the telephone jacks throughout the premise. Strip 3 in. of outer jacket from the cable. Punch individual cable pairs down on the 110 IDC connector labeled 1 to 9.

Record wiring information on the designation label attached to the enclosure cover. All premise wiring connected to the blue portion of the distribution IDC's will be controlled by the "Line 1" switch. All premise wiring connected to the orange portion of the distribution IDC's will be controlled by the "Line 2" switch.

Attach designation label to the inside of the enclosure cover and fill in the appropriate information.

Testing:

Verify incoming dial tone by connecting the tester to the "OUT" jack, prior to terminating the premise wiring. Repeat test after all premise wiring is complete to ensure all terminations are correct.

*Note: Use a qualification tester for testing this bridged voice distribution module. Tester must be equipped with an **RJ45** (8 position, 8 conductor) test plug.*

Alarm Interface connection:

The Dual Provider Voice Module features a security interface port which may be connected to a security system; in an emergency situation, the security system can over-ride telephone service on line 1 when the alarm is activated. Connect 8 conductor cord from alarm dialer to the "Security RJ31X" port on the Dual Provider Voice module.

L1 = Provider A
L2 = Provider B

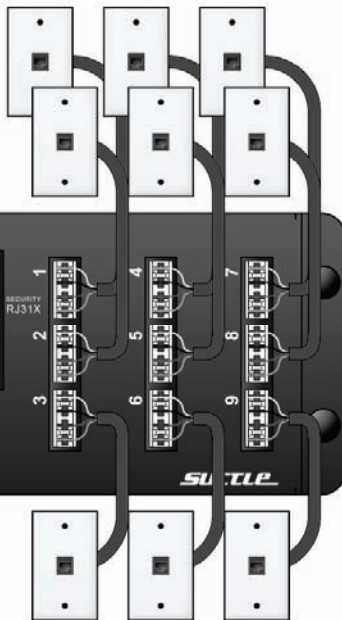
**Phone Signal
from Alarm Panel**

**Provider A
Lines 1,2**

**Provider B
Lines 1,2**

SAM-DP9

**L1 Switched
to Provider A**
**L2 Switched
to Provider B**



L1 = Provider A
L2 = Provider B

Important Information:

- Read and understand all instructions. Follow all warnings and instructions marked on the product.
- Do not use this product near water,--e.g., near a bath tub, wash basin, kitchen sink, wet basement, or near a swimming pool.
- Never push objects of any kind into this product through openings, as they may contact dangerous voltages.
- SAVE THESE INSTRUCTIONS.

Safety Information:

- Never install communications wiring or components during a lightning storm.
- Never install communications components in wet locations unless the components are designed specifically for use in wet locations.
- Never touch uninsulated wires or terminals unless the wiring has been disconnected at the network interface.

100651-00 Rev. B

1001 East Hwy 212
Hector, MN 55342
www.suttlesoho.com

Toll Free: 1-800-852-8662
Local: 1-320-848-6711
Fax: 320-848-2361