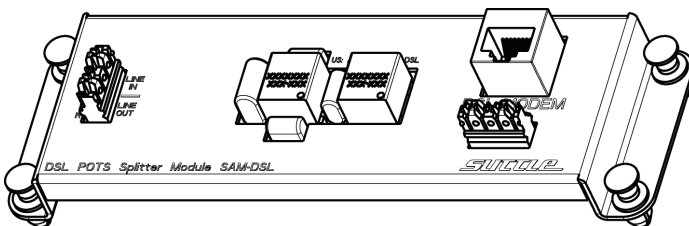


# ***SUTTLE***

## **SAM-DSL DSL POTS Splitter**

---

### **User Guide**



---

1001 East Hwy 212  
Hector, MN 55342  
[www.suttlesoho.com](http://www.suttlesoho.com)

Toll Free: 1-800-852-8662  
Local: 1-320-848-6711  
Fax: 320-848-2361



# 1. Introduction

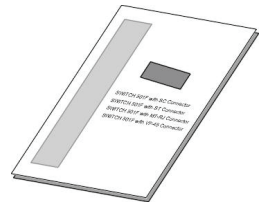
---

## Features

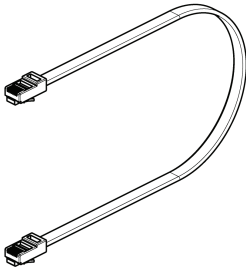
- Conforms to UL standards.
- Separates DSL and POTS signals
- Installer-friendly push-lock pin mounting.
- Eliminates the need for filters at jack locations

## Package Contents

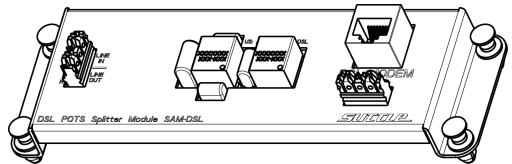
- DSL POTS splitter module
- 1 RJ45 Patch Cord
- User's Guide



User's Guide



RJ45 Patch Cord



DSL POTS Splitter Module

Compare the contents of your SAM-DSL with the checklist above. If any item is missing or damaged, please contact your local dealer for service.

## 2. Module Installation

---

### Mounting:

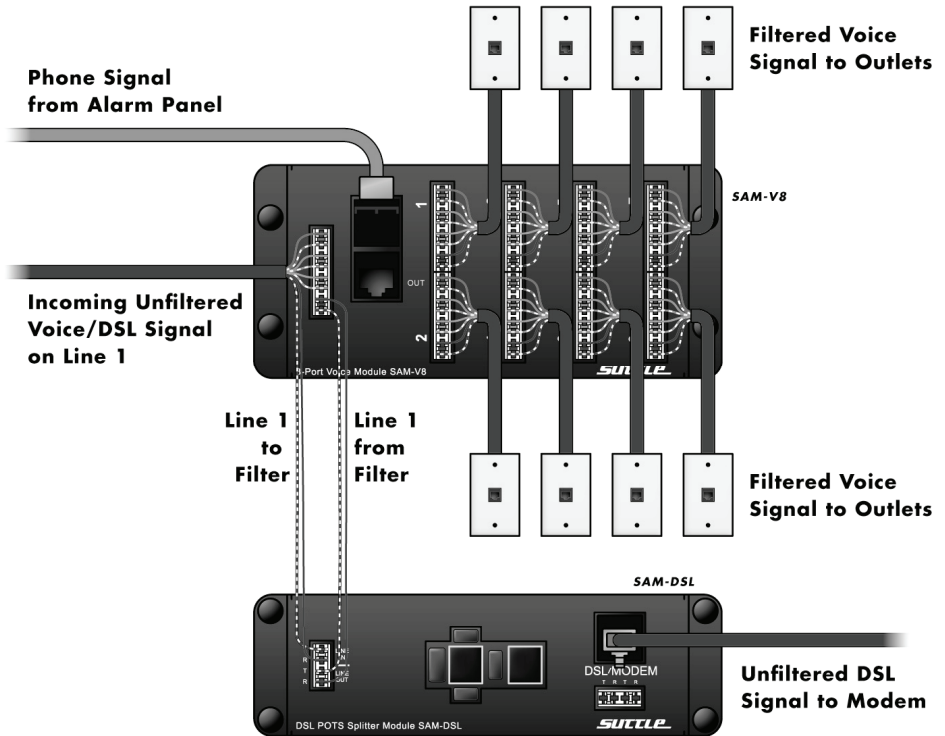
Align the mounting pins with the grid holes on the back of the enclosure. With the mounting pin plungers in the “out” position, press the unit into the grid in the desired location, secure by pushing the plungers in.

### Wiring Procedure:

Connect the incoming twisted pair for the selected service line to the “**LINE IN**” IDC on SAM-DSL. Connect the “**LINE OUT**” IDC of the SAM-DSL to the “**LINE IN**” on the SAM-V8 or SAM-VE. Connect your DSL modem to either the RJ45 jack or IDC labeled “**DSL MODEM**”.

#### **110 IDC Termination Procedure**

Strip 3” of outer jacket from the cable. Place wires into proper slots according to selected configuration. Press wires into slots with punch tool. Trim excess wire with diagonal cutter.



## **Important Information:**

- Read and understand all instructions. Follow all warnings and instructions marked on the product.
- Do not use this product near water, --e.g., near a bath tub, wash basin, kitchen sink, wet basement, or near a swimming pool.
- Never push objects of any kind into this product through openings, as they may contact dangerous voltages.
- SAVE THESE INSTRUCTIONS.

## **Safety Information:**

- Never install communications wiring or components during a lightning storm.
- Never install communications components in wet locations unless the components are designed specifically for use in wet locations.
- Never touch uninsulated wires or terminals unless the wiring has been disconnected at the network interface.



100638-00 Rev. B

---

1001 East Hwy 212  
Hector, MN 55342  
[www.suttlesoho.com](http://www.suttlesoho.com)

Toll Free: 1-800-852-8662  
Local: 1-320-848-6711  
Fax: 320-848-2361