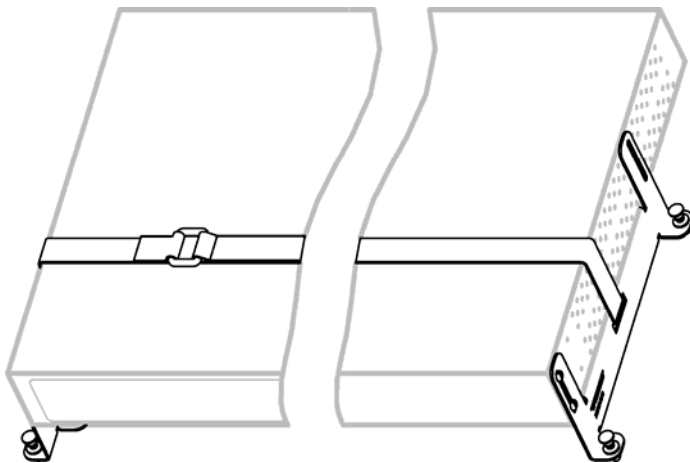


SUTTLE

SAM-EMBX Equipment Mounting Bracket

User Guide



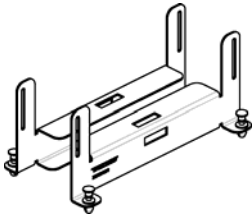
1001 East Hwy 212
Hector, MN 55342
www.suttlesoho.com

Toll Free: 1-800-852-8662
Local: 1-320-848-6711
Fax: 320-848-2361

Module Installation

Package Contents:

- Equipment Mounting Brackets with grommet/plunger fasteners
- Hook-and-Loop Cinch Strap, 36"
- Strap Holders with peel-and-stick adhesive
- User's Guide



Equipment Mounting Bracket



Cinch Strap

Strap Holder



User's Guide

Compare the contents of your SAM-EMBX with the checklist above. If any item is missing or damaged, please contact your local dealer for service.

Installation:

Thread the cinch strap through the brackets as shown in figure 1. Some equipment may have threaded holes on the sides for bracket mounting. If these line up with the slot in the bracket, mounting screws should be used to help hold the equipment in place. After the brackets are in place, the strap holders may be placed over the strap. The strap holders will be most effective if placed close to the brackets; figure 1 shows the strap holders being placed on the bottom of the equipment. Peel the backing away from the adhesive and press firmly into place.

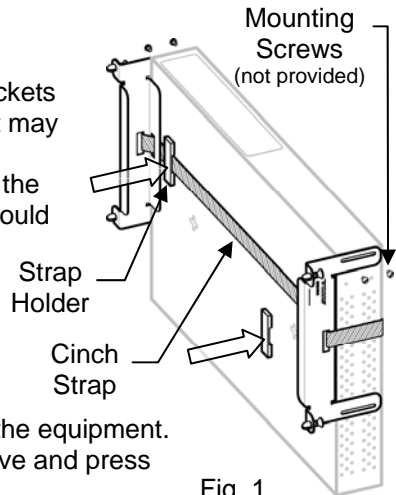


Fig. 1

Mounting:

The mounting pins in the bracket will line up with the vertical columns of mounting holes inside the enclosure. The mounting pins will also line up with some horizontal rows of mounting holes (depending on the size of the equipment being installed). This bracket was designed for a device measuring $15 \frac{3}{16}$ "; the holes in the enclosure are at $\frac{1}{2}$ " intervals. If needed, loosen the cinch strap to get the brackets lined up with the horizontal rows. Tighten the cinch strap again; add a shim between the bracket and equipment if necessary.

With the mounting pin plungers in the "out" position, press the bracket into the grid in the desired location, secure by pushing the plungers in. Fig. 2 shows a 28" enclosure with the bracket/equipment mounted on the right side of the enclosure. When mounting, allow room for cable connections and equipment controls.

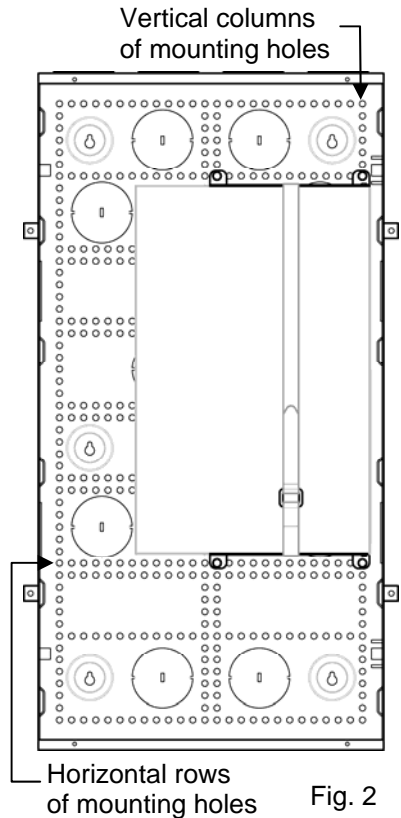


Fig. 2

p/n 100967-00 Rev. A

1001 East Hwy 212
Hector, MN 55342
www.suttlesoho.com

Toll Free: 1-800-852-8662
Local: 1-320-848-6711
Fax: 320-848-2361