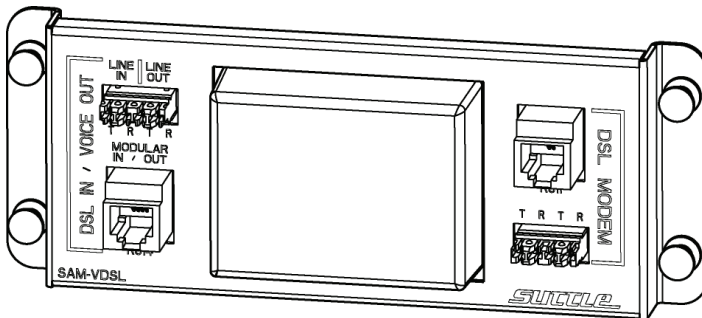


SUTTLE

SAM-VDSL VDSL POTS Splitter

User Guide



1001 East Hwy 212
Hector, MN 55342
www.suttlesoho.com

Toll Free: 1-800-852-8662
Local: 1-320-848-6711
Fax: 320-848-2361

Module Installation

Mounting:

Align the mounting pins with the grid holes on the back of the enclosure. With the mounting pin plungers in the “out” position, press the unit into the grid in the desired location, secure by pushing the plungers in.

Module Integration:

SAM-MP4-SP

Adjust the “LINE IN SWITCH” positions as instructed in the SAM-MP4-SP user guide then connect the “**MODULAR IN / OUT**” jack on the SAM-VDSL to the “SAM-VDSL” jack on the SAM-MP4-SP using the provided line cord. Connect your DSL modem to either the RJ11 jack or IDC labeled “**DSL MODEM**”.

SAM-V8

Connect the incoming twisted pair for the selected service line to the “**LINE IN**” IDC on SAM-VDSL. Connect the “**LINE OUT**” IDC of the SAM-VDSL to the “**LINE IN**” on the SAM-V8. Connect your DSL modem to either the RJ11 jack or IDC labeled “**DSL MODEM**”.

SAM-V8

Connect the incoming twisted pair for the selected service line to the “**LINE IN**” IDC on SAM-VDSL. Connect the “**LINE OUT**” IDC of the SAM-VDSL to the “**LINE IN**” on the SAM-V8. Connect your DSL modem to either the RJ11 jack or IDC labeled “**DSL MODEM**”.

SAM-V10

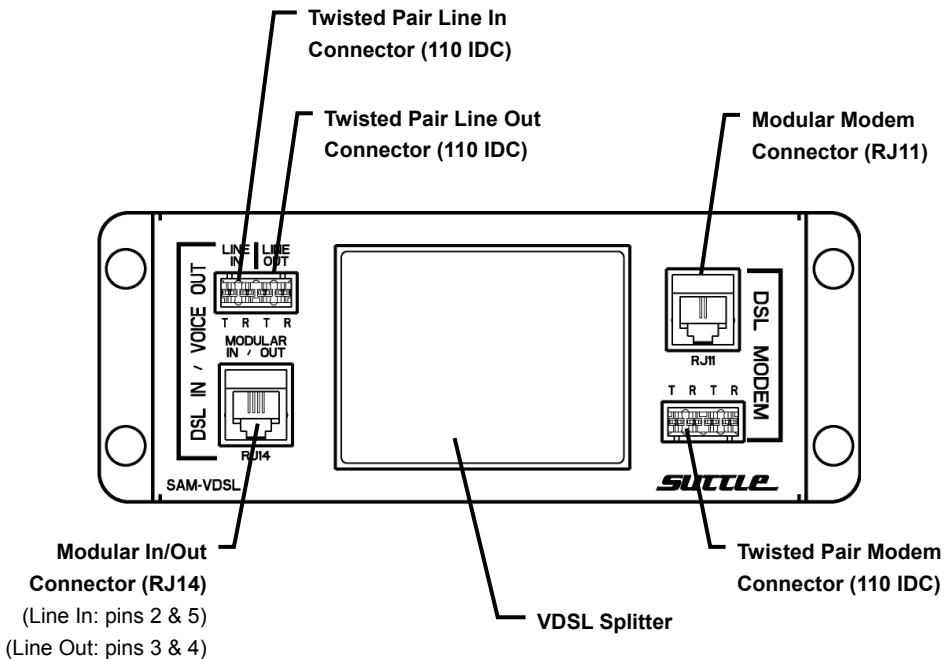
Connect the incoming twisted pair for the selected service line to the “**LINE IN**” IDC on SAM-VDSL. Connect the “**LINE OUT**” IDC of the SAM-VDSL to the “**LINE IN**” on the SAM-V10. Connect your DSL modem to either the RJ11 jack or IDC labeled “**DSL MODEM**”.

SAM-VE

Connect the incoming twisted pair for the selected service line to the “**LINE IN**” IDC on SAM-VDSL. Connect the “**LINE OUT**” IDC of the SAM-VDSL to the “**LINE IN**” on the SAM-VE. Connect your DSL modem to either the RJ11 jack or IDC labeled “**DSL MODEM**”.

110 IDC Termination Procedure

Strip 3” of outer jacket from the cable. Place wires into proper slots according to selected configuration. Press wires into slots with punch tool. Trim excess wire with diagonal cutter.



Important Information:

- Read and understand all instructions. Follow all warnings and instructions marked on the product.
- Do not use this product near water, --e.g., near a bath tub, wash basin, kitchen sink, wet basement, or near a swimming pool.
- Never push objects of any kind into this product through openings, as they may contact dangerous voltages.
- SAVE THESE INSTRUCTIONS.

Safety Information:

- Never install communications wiring or components during a lightning storm.
- Never install communications components in wet locations unless the components are designed specifically for use in wet locations.
- Never touch uninsulated wires or terminals unless the wiring has been disconnected at the network interface.

100704-00 Rev. A

1001 East Hwy 212
Hector, MN 55342
www.suttlesoho.com

Toll Free: 1-800-852-8662
Local: 1-320-848-6711
Fax: 320-848-2361