

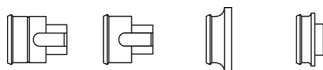
## SL-TOOL Linear Compliant Compression Tool

This tool is not insulated against electrical shock and should not be used for purposes other than intended

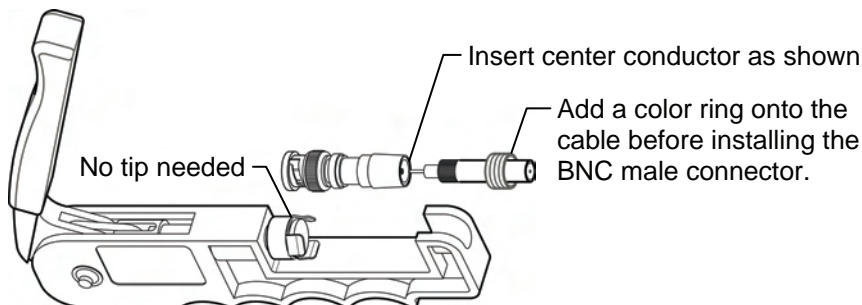
This tool is designed to compress **SURE LOCK** F, BNC and RCA connectors for RG-59 and RG-6 coaxial cable and speaker connectors for 12, 14 and 16 gauge speaker wire. The tool comes with four tips: silver, gold, wall plate and right angle. See Table 1 for proper tip selection. The tool comes with a key-chain tip holder for tip storage, printed with a 1/4" cable prep guide.

1. Follow the manufacturer instructions supplied with the connector for proper installation. Most connectors require a 1/4" jacket and 1/4" dielectric strip. Use the SPSA stripping tool for a 1/4" x 1/4" cable preparation.
2. Place the connector into the tool as shown in Figures 1 through 6. The front of the connector must be flat against the plunger head tip and the connector crimp ring will rest against the cable yoke.
3. Press the handle of the tool until it closes against the body of the tool to complete the connector termination.

**Table 1** Tip Selection

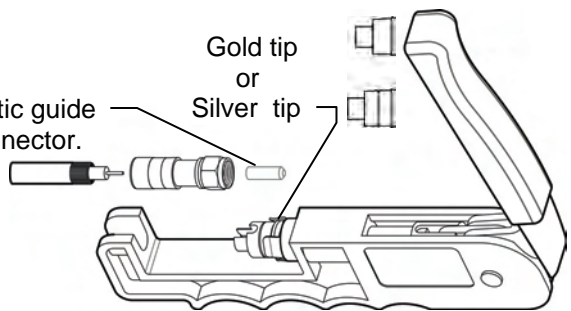


	no tip	silver	gold	wall plate	right angle
BNC-connector	x				
BNC-connector (female)				x	
Silver F-connector		x			
Gold F-connector			x		
Right angle F-connector					x
F-connector (female)				x	
Silver RCA-connector		x			
Gold RCA-connector			x		
RCA-connector (female)				x	
Speaker connector			x		
Right angle Speaker-connector					x
Wall plate Housing Insert	<b>plastic tip supplied with connector (BNC-female: red) (F- and RCA-female: blue)</b>				



**Figure 1** BNC (male)

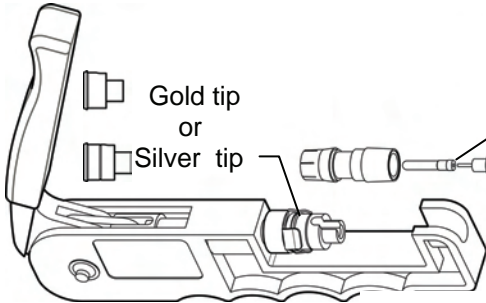
Remove and discard plastic guide pin before installing F-connector.



**Figure 2** F (male)

Gold tip or Silver tip

Insert the pin onto center conductor. Pin will click into place when pushed all the way into the connector.

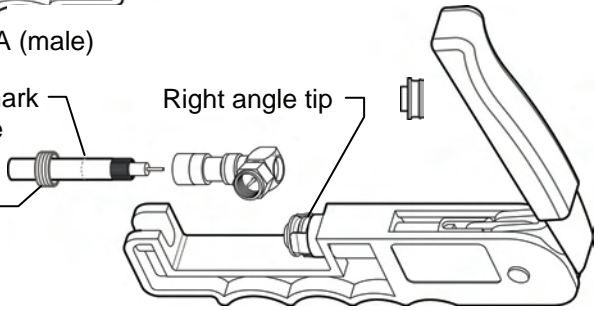


**Figure 3** RCA (male)

Blind entry connector, mark insertion length on cable

Right angle tip

Add a color ring onto the cable before installing the Right angle F-connector.

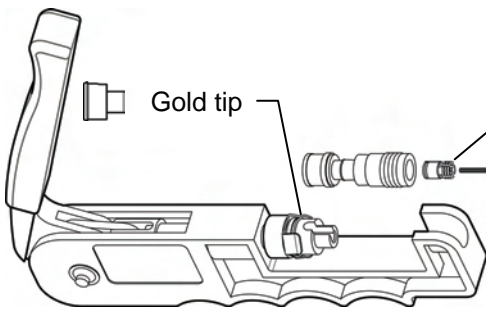


**Figure 4** Right angle F

Gold tip

Twist proper wire gauge sleeve onto the prepared speaker wire.

Use the wire insertion tool to push the sleeve completely into the connector.

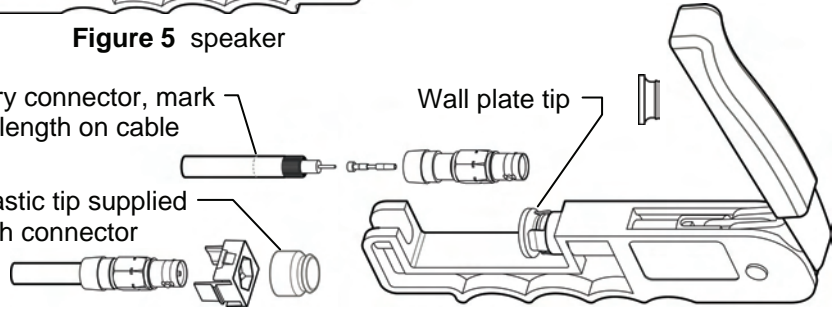


**Figure 5** speaker

Blind entry connector, mark insertion length on cable

Wall plate tip

Plastic tip supplied with connector



**Figure 6** BNC (female)  
also showing Wall plate housing insert